

Phylogenetic radiation of the greenbottle flies (Diptera, Calliphoridae, Luciliinae)

Kirstin A. Williams^{1,2}, Jennifer Lamb³, Martin H. Villet²

1 Entomology Department, Durban Natural Science Museum, Durban, South Africa **2** Southern African Forensic Entomology Research Laboratory, Department of Zoology and Entomology, Rhodes University, Grahamstown, South Africa **3** School of Life Sciences, University of KwaZulu-Natal, South Africa

Corresponding author: *Kirstin A. Williams* (Kirstin.Williams@durban.gov.za)

Academic editor: *P. Cerretti* | Received 29 September 2015 | Accepted 18 January 2016 | Published 23 February 2016

<http://zoobank.org/1BFDEE7B-3A92-423E-9FF8-1DC9AF1EDF35>

Citation: Williams KA, Lamb J, Villet MH (2016) Phylogenetic radiation of the greenbottle flies (Diptera, Calliphoridae, Luciliinae). ZooKeys 568: 59–86. doi: 10.3897/zookeys.568.6696

Abstract

The subfamily Luciliinae is diverse and geographically widespread. Its four currently recognised genera (*Dyscritomyia* Grimshaw, 1901, *Hemipyrellia* Townsend, 1918, *Hypopygiopsis* Townsend 1916 and *Lucilia* Robineau-Desvoidy, 1830) contain species that range from saprophages to obligate parasites, but their pattern of phylogenetic diversification is unclear. The *28S rRNA*, *COI* and *Period* genes of 14 species of *Lucilia* and *Hemipyrellia* were partially sequenced and analysed together with sequences of 11 further species from public databases. The molecular data confirmed molecular paraphyly in three species-pairs in *Lucilia* that hamper barcode identifications of those six species. *Lucilia sericata* and *L. cuprina* were confirmed as mutual sister species. The placements of *Dyscritomyia* and *Hypopygiopsis* were ambiguous, since both made *Lucilia* paraphyletic in some analyses. Recognising *Hemipyrellia* as a genus consistently left *Lucilia* s.l. paraphyletic, and the occasionally-recognised (sub)genus *Phaenicia* was consistently paraphyletic, so these taxa should be synonymised with *Lucilia* to maintain monophyly. Analysis of a matrix of 14 morphological characters scored for adults of all genera and for most of the species included in the molecular analysis confirmed several of these findings. The different degrees of parasitism were phylogenetically clustered within this genus but did not form a graded series of evolutionary stages, and there was no particular relationship between feeding habits and biogeography. Because of the ubiquity of hybridization, introgression and incomplete lineage sorting in blow flies, we recommend that using a combination of mitochondrial and nuclear markers should be a procedural standard for medico-criminal forensic identifications of insects.

Keywords

Lucilia sericata, *Lucilia cuprina*, molecular systematics, parasitism, myiasis

Introduction

All four genera of the subfamily Luciliinae are reported to exhibit parasitism in the form of myiasis – the infestation of humans' and other animals' living tissues by fly larvae (Stevens 2003) – ranging from facultative secondary necrophagous myiasis in species like *Lucilia sericata* (Meigen, 1826) to obligate primary carnivorous myiasis in species such as *Lucilia bufonivora* Moniez, 1876. *Lucilia cuprina* (Wiedemann, 1830) and *L. sericata* are noted veterinary pests. Molecular approaches to the management of these flies' populations can be built on a phylogenetic analysis of the species, but such analyses based on morphological data (Stevens and Wall 1997, Otranto and Stevens 2002, Stevens 2003) have found no evolutionary pattern underlying the radiation of feeding behaviours in *Lucilia* Robineau-Desvoidy, 1830, and biogeographical patterns in the different forms of myiasis have yet to be studied. Furthermore, several taxonomic questions remain regarding the subfamily, from the molecular identification of its species to the definitions of its genera.

At the highest taxonomic level, Rognes (1991) suggested that the genera *Dyscritomyia* Grimshaw, 1901, *Hemipyrellia* Townsend, 1918, *Hypopygiopsis* Townsend 1916, and *Lucilia* Robineau-Desvoidy, 1830 should be united in the subfamily Luciliinae. Several phylogenetic studies have placed species of *Hemipyrellia* within *Lucilia* (Wells et al. 2007, Park et al. 2009, Liu et al. 2011, McDonagh and Stevens 2011). Evidence of whether *Dyscritomyia* is related to *Lucilia* or nested within it has depended on which gene was analysed (Wells et al. 2007, McDonagh and Stevens 2011). The definitions and relationships of these genera therefore need attention.

Several other genera have been included in the Luciliinae, such as *Bufolucilia* Townsend, 1919, *Francilia* Shannon, 1924, *Acrophagella* Ringdahl, 1942, *Phumonesia* Villeneuve, 1914 and *Viridinsula* Shannon, 1926 but most of these are now treated as synonyms of *Lucilia*. *Lucilia* itself has been variously divided into subgenera (Malloch 1926) or genera (Hall 1948), respectively. *Phaenicia* Robineau-Desvoidy, 1863 has been the most used of these names and its use persists (e.g. Park et al. 2009) even though its validity has been challenged regularly (Aubertin 1933, Zumpt 1965, Stevens and Wall 1996). A phylogenetic study of *Lucilia* presents an opportunity to assess this matter.

The largest genus in the subfamily, *Lucilia* has received few quantitative phylogenetic studies (Aubertin 1933, Stevens and Wall 1996, 1997, Wells et al. 2007, Park et al. 2009, DeBry et al. 2012, Sonet et al. 2012), with research generally focusing on species of medical, veterinary or forensic interest in specific geographic regions (Stevens and Wall 2001, Chen et al. 2004, Wallman et al. 2005, Harvey et al. 2008, Reibe et al. 2009, Liu et al. 2011, Boehme et al. 2012, DeBry et al. 2012, Nelson et al. 2012, Sonet et al. 2013). The most comprehensive revision of the genus was published by Aubertin (1933), who recognised 27 species. Since then revisions of the genus and keys for the identification of its species have been produced, but only for specific geographic regions (Hall 1948, James 1971, Rognes 1980, 1991, Smith 1986, Whitworth 2006, 2010). Most species of *Lucilia* are limited to particular continents or islands and very few, such as *L. sericata*, are cosmopolitan. It is difficult to assess relationships and biogeographical patterns when studies are taxonomically geographically fragmented.

At the species level, *L. sericata* and *L. cuprina* have been referred to as sister-species (Ash and Greenberg 1974) because they are very similar morphologically and each is often misidentified as the other. They are now both found in Australia, New Zealand, South Africa, large parts of Asia, Europe and North America (Waterhouse and Paramonov 1950, Rognes 1980, 1994, Norris 1990, Bishop 1991, 1995, Holloway 1991, Fischer 2000, Harvey et al. 2003a, 2003b, 2008, Chen et al. 2004, Heath and Bishop 2006, Park et al. 2009, Liu et al. 2011, Boehme et al. 2012, GilArriortua et al. 2013). They have each received intensive biological investigation, and it would benefit comparative studies if it could be confirmed that they are actually sister species.

Several studies have established that natural hybrids of *L. sericata* and *L. cuprina* exist (Stevens and Wall 1996, Stevens et al. 2002, Wallman et al. 2005, Tourle et al. 2009, DeBry et al. 2010, Williams and Villet 2013). Two other species pairs, *Lucilia coeruleiviridis* Macquart, 1855 and *L. mexicana* Macquart, 1843, and *L. caesar* (Linnaeus, 1758) and *L. illustris* (Meigen, 1826), also show molecular paraphyly (DeBry et al. 2012, Sonet et al. 2012, 2013), possibly due to introgressive hybridisation or incomplete lineage sorting. The frequency and phylogenetic distribution of this phenomenon in the genus is of general interest because of its implications for understanding speciation and diversification in the group.

The aims of this study are therefore to confirm if *L. sericata* and *L. cuprina* are sister-species; to explore if *L. coeruleiviridis* (Macquart, 1855) / *L. mexicana* Macquart, 1843 and *L. caesar* (Linnaeus, 1758) / *L. illustris* (Meigen, 1826) are paraphyletic species; to examine the relationships between the species of *Lucilia* and clarify the taxonomic status of *Phaenicia*; to estimate the relationships of *Dyscritomyia*, *Hemipyrellia*, *Hypopygiopsis* and *Lucilia*; and to assess the geographical and phylogenetic patterns of myiasis-causing behaviour in these flies.

Materials and methods

DNA data

Adult *Lucilia* flies were obtained from around the world (Table 1). *Hemipyrellia fernandica* (Macquart, 1855) were obtained from Benin, South Africa and Tanzania, and *Calliphora vicina* Robineau-Desvoidy, 1830 were obtained from France and used as an outgroup (Table 1). Identifications were made by the donors based on morphology and verified using published keys (Aubertin 1931, 1933, Smith 1986, Holloway 1991, Whitworth 2006, 2010). All flies were kept in separate 1.5 ml Eppendorf tubes in 96% ethanol or as dried pinned specimens and deposited with the Durban Natural Science Museum after analysis.

One hind leg of each fly was used for DNA analysis. DNA was extracted using the Qiagen DNeasy tissue kit (Qiagen, Inc., Valencia, CA) according to the manufacturer's instructions. Three genes were chosen for sequencing: 28S rRNA (28S), a nuclear gene that has been used in previous studies and would allow comparison with other studies

Table 1. Specimen locality data for sequences added to GenBank. (Accession numbers starting KF are new sequences from this study).

Species	Specimen	Locality	Accession Number		
			28S	Per	COI
<i>Calliphora vicina</i>	CV_FRC_01(F)	Montferrier-Sur-Lez	JN792781	KF839531	KF839562
	CV_FRC_02(M)	Montferrier-Sur-Lez	KF839506		
<i>Hemipyrellia fernandica</i>	H_BEN_01(M)	Cotonou	KF839511	KF839539	KF839567
	H_BEN_02(M)	Cotonou	KF839512	KF839540	KF839568
	H_SA_DBN_01(F)	Durban	KF839513	KF839541	KF839569
	H_TAN_01(M)	Mkuraja	KF839514	KF839542	KF839570
	H_TAN_02(M)	Mkuraja	KF839515	KF839543	KF839571
	Ca_FRC_01(M)	Montferrier-Sur-Lez	JN792782	JN792858	KF839556
<i>Lucilia caesar</i>	Ca_FRC_02(F)	Montferrier-Surz-Lez	KF839501	KF839532	KF839557
	Co_CAN_01(M)	Windsor	KF839502	KF839533	KF839558
<i>Lucilia coeruleiviridis</i>	Co_CAN_02(M)	Windsor	KF839503		KF839559
	Co_USA_03(F)	Putnam Co. Missouri	KF839504	KF839534	KF839560
	Co_USA_04(F)	Martinstown, Missouri	KF839505		KF839561
	C_AUS_01 (M)	Sydney	KF856254		JN792622
	C_EGT_01 (F)	Alexandria	JN792706	JN792784	JN792625
	C_SA_CT_02 (F)	Cape Town	JN792713	JN792791	JN792632
<i>Lucilia cuprina</i>	C_SA_DBN_01(F)	Durban	JN792724	JN792802	JN792642
	C_THA_02 (F)	Chiang Mai	JN792741	JN792819	JN792661
	C_THA_03 (F)	Chiang Mai	JN792742	JN792820	JN792662
	C_ZIM_02 (F)	Marobos	JN792745	JN792823	JN792667
	Ex_CSR_01(F)	Santo Domingo	KF839507	KF839535	KF839563
	Ex_CSR_02(F)	Santo Domingo	KF839508	KF839536	KF839564
<i>Lucilia foyeae</i>	Fa_DOM_01(F)	Calibishie	KF839509	KF839537	KF839565
	Fa_DOM_02(F)	Calibishie	KF839510	KF839538	KF839566
<i>Lucilia illustris</i>	IL_CAN_01(F)	Windsor	KF839516	KF839544	KF839572
	IL_CAN_02(F)	Windsor	KF839517	KF839545	KF839573

Species	Specimen	Locality	Accession Number			
			28S	Per	COI	
	IL_JPN_01(F)	Iwate Medical University	Japan	KF839518	KF839546	KF839574
	IL_JPN_02(F)	Iwate Medical University	Japan	KF839519	KF839547	KF839575
	IL_SWZ_01(F)	Lausanne-Suisse	Switzerland	KF839520	KF839548	
	IL_USA_01(F)	Michigan	United States of America	KF839521	KF839549	
	IL_USA_02(F)	Michigan	United States of America	KF839522	KF839550	KF839576
	In_BRN_01(F)	Parc National de la Kibira	Burundi	KF839523	KF839551	KF839577
<i>Lucilia infernalis</i>	In_RWN_01(F)	Nyungwe Forest Reserve	Rwanda	JN792780	JN792857	JN813094
	Mx_USA_01(F)	New Mexico	United States of America	KF839524	KF839552	KF839578
	Mx_USA_02(F)	New Mexico	United States of America	KF839525		KF839579
	Pa_AUS_01	-	Australia	KF839526		
<i>Lucilia papuensis</i>	Po_AUS_01	-	Australia	KF839527	KF839553	
	S_AUS_01 (M)	Seaford	Australia	JN792746	JN792824	JN792668
<i>Lucilia porphyrina</i>	S_FRC_01 (F)	Montferrier-Sur-Lez	France	JN792749	JN792827	JN792671
	S_JPN_01 (F)	Osaka	Japan	JN792754	JN792831	JN792678
	S_NAM_01 (F)	Possession Island	Namibia	JN792758	JN792835	JN792682
	S_SA_CT_07 (F)	Cape Town	South Africa	JN792766	JN792843	JN792690
	S_USA_01 (F)	Michigan	United States of America	JN792778	JN792855	JN792703
	Si_GER_01(F)	Kempen	Germany	KF839528		KF839580
<i>Lucilia silvarum</i>	Th_USA_01(F)	Del Norte Co. California	United States of America	KF839529	KF839554	KF839581
	Th_USA_02(F)	Del Norte Co. California	United States of America	KF839530	KF839555	KF839582

(Stevens et al. 2002, Stevens 2003, Tourle et al. 2009, DeBry et al. 2010, Sonet et al. 2012); *Period* (*Per*), a second nuclear gene that is faster-evolving than *28S* to give better phylogenetic resolution; and *Cytochrome oxidase I* (*COI*), the DNA barcoding gene of choice that has been used in previous studies (Stevens et al. 2002, Stevens 2003, Wallman et al. 2005, Wells et al. 2007, Harvey et al. 2008, Liu et al. 2009, Park et al. 2009, Tourle et al. 2009, DeBry et al. 2010, DeBry et al. 2012, Sonet et al. 2012). A region of approximately 650bp in the Domain 1-2 of the *28S* gene was amplified using the primers 5'-CCCCCTGAATTTAAGCATAT-3' and 5'-TTAGACTCCTTGGTC-CGTG-3' (Stevens et al. 2002). A region of approximately 600bp of the *COI* gene was amplified using the primers C1-J1709 (5'-ATTGGGGGGTTTGGAAATTG-3') and C1-N2353 (5'-GCTCGTGTATCAACGTCTATTCC-3') (Simon et al. 2006). A region of approximately 730bp of the *Per* gene, was amplified using the primers *Per*5 (5'-GCCTTCAGATACGGTCAAAC-3') (Warman, pers comm) and *Per* reverse (5'-CCGAGTGTGGTTTGGAGATT-3') (designed by the authors). Polymerase chain reaction (PCR) amplification was performed using 1 µL of DNA in a 25 µL reaction. Amplification times were 94 °C for 5 min denaturation, followed by 36 cycles of 94 °C for 30 seconds, 55 °C for 1 min, 72 °C for 30 seconds and a final extension period at 72 °C for 7 min. PCR products were confirmed by gel electrophoresis stained in ethidium bromide. PCR products were then sequenced using an ABI 3730I Genetic Analyzer (Applied Biosystems) and the primers used in amplification.

Additional DNA sequences of *28S*, *Per* and *COI* were obtained from GenBank (www.ncbi.nlm.nih.gov) (Table 2). Additional *COI* barcode sequences were downloaded from the Barcode of Life Database (BOLD) website for all available *Lucilia*, *Hemipyrellia* and *Hypopygiopsis* species and for *Paralucilia paraensis* (Mello, 1972) and *Chrysomya chloropyga* (Wiedemann, 1818) which were included as additional outgroups. Duplicate sequences from the same studies were removed and a total of 207 sequences were included in the analysis. The sequences were aligned and edited using the BioEdit v7.0.9 software (Hall 1999).

Morphological data

The states of the 14 morphological characters defined by Stevens and Wall (1996) were obtained from Aubertin (1931, 1933), Stevens and Wall (1996) and Whitworth (2010) for all of the *Lucilia* and *Hemipyrellia* species for which sequences were available (Table 3). Museum specimens were inspected where possible to complete the character state matrix. *Calliphora vicina* was included as an outgroup.

Phylogenetic analysis

Separate Bayesian inference analyses were performed on each gene in MrBayes (Huelsenbeck and Ronquist 2001) using the best-fitting nucleotide substitution model

Table 2. GenBank sequences included in this study.

Species	Locality		Accession Number		
			28S	Per	COI
<i>C. vicina</i>	Bristol	UK	AJ300131		AJ417702
<i>D. fasciata</i>	-	Hawaii			AY074902
<i>D. lucilioides</i>	-	Hawaii			AY074903
<i>D. robusta</i>	-	Hawaii			AY074898
<i>H. ligurriens</i>	-	China			DQ345092
<i>H. ligurriens</i>	-	Taiwan			AY097334
<i>H. ligurriens</i>	-	Taiwan			DQ453493
<i>H. pulchra</i>	-	China			DQ345091
<i>L. adiosoemartoi</i>	-	Indonesia			AY074901
<i>L. ampullacea</i>	Langford	UK	AJ300137		
<i>L. ampullacea</i>	Bristol	UK			DQ453487
<i>L. ampullacea</i>	-	Korea			EU925394
<i>L. bazini</i>	-	Taiwan			AY346450
<i>L. bazini</i>	-	China			DQ345082
<i>L. caesar</i>	Langford	UK	AJ300138		AY417703
<i>L. caesar</i>	Bristol	UK			DQ453488
<i>L. caesar</i>	-	Korea			EU880196
<i>L. chuvia</i>	New Orleans	USA	AJ551440		DQ453490
<i>L. chuvia</i>	Volusia Co. Florida	USA			JQ942371
<i>L. coeruleiviridis</i>	New York	USA			FJ650558
<i>L. cuprina</i>	-	China			DQ345087
<i>L. cuprina</i>	Honolulu	Hawaii			AJ417704
<i>L. cuprina</i>	Oahu	Hawaii			DQ453496
<i>L. cuprina</i>	-	Taiwan			AY097335
<i>L. cuprina</i>	-	Thailand			EU418577
<i>L. cuprina</i>	Tororo	Uganda			AJ417711
<i>L. cuprina</i>	Townsville	Australia	AJ417709		AJ417710
<i>L. cuprina</i>	Waianae	Hawaii			AJ417705
<i>L. cuprina</i>	Wallaceville	New Zealand		Y19108.1	
<i>L. cuprina</i>	Noordhoek	South Africa	EU626549		
<i>L. cuprina</i>	Cincinnati	USA	FJ650542		
<i>L. eximia</i>	-	Brazil			DQ453491
<i>L. hainanensis</i>	-	Taiwan			AY346451
<i>L. hainanensis</i>	-	China			DQ345084
<i>L. illustris</i>	Langford	UK	AJ300136		AJ551445
<i>L. illustris</i>	-	Korea			EU880204
<i>L. illustris</i>	-	China			DQ345090
<i>L. illustris</i>	-	India			DQ200168
<i>L. mexicana</i>	San Francisco	USA	AJ551441		DQ453492
<i>L. mexicana</i>	California	USA			FJ650563
<i>L. mexicana</i>	California	USA			FJ650562
<i>L. papuensis</i>	-	China			DQ345085

Species	Locality		Accession Number		
			28S	Per	COI
<i>L. porphyrina</i>	-	Taiwan			AY097336
<i>L. porphyrina</i>	-	Japan			AY074900
<i>L. porphyrina</i>	-	China			DQ345089
<i>L. richardsi</i>	Usk	-	AJ551142		
<i>L. sericata</i>	Perth	Australia			AB112833
<i>L. sericata</i>	Nerja	Spain			AJ417716
<i>L. sericata</i>	Kingsbury	UK			AJ417713
<i>L. sericata</i>	Hilerod	Denmark	AJ300140		EF531193
<i>L. sericata</i>	Harare	Zimbabwe			AJ417717
<i>L. sericata</i>	-	China			DQ345086
<i>L. sericata</i>	Langford	UK	AJ300139		
<i>L. sericata</i>	Los Angeles	USA	AJ300141		
<i>L. silvarum</i>	Durham	UK	AJ551443		
<i>L. silvarum</i>	-	USA			FJ650564
<i>L. silvarum</i>	Linn Co., OR	USA			JQ942455
<i>L. taiyuanensis</i>	-	China			DQ345088
<i>L. thatuna</i>	San Francisco	USA	AJ551444		DQ453489
<i>L. thatuna</i>	Del Norte Co., California	USA			JQ942464

(GTR+G in all cases) from jModelTest (Posada 2008). One cold and three hot chains were run for 5 000 000 generations, sampling every 1 000 generations with burn-in of 1 000 samples (20%). Incongruence length difference (ILD) tests (Farris et al. 1994) were run in PAUP*4b10 (Swofford 2003) to quantify the differences in topology between trees for 28S, COI and Per. Analyses were then conducted on two combined data sets (nuclear 28S and Per; and total 28S, Per and COI), each partitioned by gene, with the parameters as above.

A network analysis for the COI data was created using the NeighborNet algorithm in SplitsTree4 (Huson and Bryant 2008) and the uncorrected P-distance method.

The COI barcode sequences (~700 bp long, between base numbers 1490 and 2198) retrieved from on-line databases were aligned along with our new sequences (~640 bp long, between base numbers 1709 and 2353) for a region approximately 800 bp long in which every sequence overlapped the others by at least 490 bp. Bayesian inference analysis was performed in MrBayes (Huelsenbeck and Ronquist 2001) using the best-fitting nucleotide substitution model (GTR+G) from jModelTest (Posada 2008).

Maximum parsimony analysis of the morphological data (Table 3) using Fitch parsimony was performed in Paup*4b10 (Swofford 2003). Statistical support for nodes was assessed by bootstrapping with 100 replicates retaining a maximum of 10 000 trees. Strict consensus and 50% majority rule trees were produced from the analysis.

The zoogeographic distributions of species in the Luciliinae (Table 4) were mapped onto the trees.

Table 3. Binary coding of 14 morphological characters for the genera *Lucilia* and *Hemipyrellia*. 1 – Colour of the basicostal scale (0 = black/brown, 1 = white/cream); 2 – Number of postsutural acrostichal bristles (0 = two pairs, 1 = three pairs); 3 – Eye separation in the male (0 = distance of greater than the width of the third antennal segment, 1 = less than the width of the third antennal segment); 4 – Number of anterio-dorsal bristles on the mid tibia (0 = one, 1 = two); 5 – Colour of the palpi (0 = yellow/orange, 1 = black/brown); 6 – Subcostal sclerite (0 = bristles absent, 1 = bristles present); 7 – Colour of the squamae (0 = uniform white/cream, 1 = partially or totally brown); 8 – Wings (00 = hyaline, 01 = lightly infuscated, 11 = heavily infuscated); 9 – Eye separation in the female (0 = distance of greater than one quarter of the width of the head, 1 = less than one quarter of the width of the head); 10 – Colour of antennae (0 = uniformly dark, 1 = non-uniform); 11 – Male hypopygium (00 = inconspicuous, 01 = conspicuous, 11 = highly conspicuous); 12 – Colour of abdomen and thorax (0 = predominantly brassy green/green, 1 = predominantly purple/blue/black); 13 – Colour of the legs (00 = dark brown, 01 = brown/black, 11 = black); 14 – Lower squamal lobe (0 = setae absent, 1 = setae present). (Stevens and Wall 1996).

Species	Character number													
	1	2	3	4	5	6	7	8	9	10	11	12	13	14
<i>Calliphora vicina</i>	1	1	1	1	0	0	1	00	0	0	11	1	01	1
<i>Hemipyrellia fernandica</i>	0	0	0	0	1	1	0	00	1	0	00	0	11	0
<i>Hemipyrellia liguriens</i>	0	0	0	0	0	1	0	00	1	1	01	0	11	0
<i>Hemipyrellia pulchra</i>	0	0	0	1	0	?	0	00	0	1	00	0	11	0
<i>Lucilia ampullacea</i>	0	0	1	0	0	1	0	00	0	0	00	0	01	0
<i>Lucilia bufonivora</i>	0	0	0	0	1	0	0	00	0	0	01	0	11	0
<i>Lucilia coeruleiviridis</i>	1	0	1	0	0	0	0	00	1	1	00	0	00	0
<i>Lucilia caesar</i>	0	0	1	0	0	1	0	00	0	0	11	0	01	0
<i>Lucilia chavia</i>	1	0	0	0	0	0	0	00	1	0	00	0	00	0
<i>Lucilia cuprina</i>	1	1	0	0	0	0	0	00	0	0	01	0	11	0
<i>Lucilia eximia</i>	0	0	1	0	0	0	1	00	0	1	00	0	00	0
<i>Lucilia fayeae</i>	0	0	1	0	0	0	1	01	0	0	00	1	00	0
<i>Lucilia illastris</i>	0	0	1	0	0	1	0	00	0	0	01	0	11	0
<i>Lucilia infernalis</i>	0	1	1	0	0	1	1	11	0	1	00	1	01	0
<i>Lucilia mexicana</i>	0	0	1	0	0	0	1	01	0	1	00	0	11	0
<i>Lucilia papuensis</i>	0	0	1	1	0	1	1	01	0	1	00	0	11	0
<i>Lucilia porphyrina</i>	0	0	1	0	0	1	1	01	1	0	00	1	00	0
<i>Lucilia richardsi</i>	1	1	0	1	1	0	0	00	0	0	00	0	11	0

Species	Character number													
	1	2	3	4	5	6	7	8	9	10	11	12	13	14
<i>Lucilia sericata</i>	1	1	0	0	0	0	0	00	0	0	00	0	11	0
<i>Lucilia silvarum</i>	0	1	0	0	1	0	0	00	0	0	01	0	11	0
<i>Lucilia thatuna</i>	1	1	1	0	0	0	0	00	1	0	00	0	11	0

Table 4. Zoogeographic distribution of species of Luciliinae included in this study. Symbols in brackets represent anthropogenic introductions.

Species	Region						
	Hawaii	Afrotropical	Australasian	Oriental	Palearctic	Nearctic	Neotropical
<i>Dyscritomyia</i> spp.	X						
<i>Hypopygiopsis</i> spp.			X	X			
<i>Hemipyrellia</i> spp.		X	X	X			
<i>H. fernandica</i>		X					
<i>L. infernalis</i>		X					
<i>L. cuprina</i>		X	X	X	(X)	X	
<i>L. sericata</i>		(X)	(X)	X	X	X	(X)
<i>L. silvarum</i>					X	X	
<i>L. thatuna</i>						X	
<i>L. adiosoemartoi</i>				X			
<i>L. bazini</i>				X			
<i>L. hainanensis</i>				X			
<i>L. taiyuanensis</i>				X			
<i>L. papuensis</i>			X	X			
<i>L. porphyrina</i>			X	X	X		
<i>L. ampullacea</i>				X	X		
<i>L. caesar</i>				X	X		
<i>L. illustris</i>				X	X	X	
<i>L. cluvia</i>					X	X	
<i>L. coeruleiviridis</i>						X	
<i>L. mexicana</i>						X	
<i>L. fayeae</i>							X
<i>L. eximia</i>							X

Results

Molecular data

Sequencing of the *28S*, *Per* and *COI* genes resulted in 1932 bp being aligned – 656 bp for *28S*, 700 bp for *Per* and 576 bp for *COI*. A total of 46 specimens were sequenced for *28S*, 41 specimens for *Per* and 39 specimens for *COI*. These sequences were submitted to GenBank (Table 1).

The ILD test for *28S* and *Per* showed these two genes to be highly congruent ($p = 1.00$) and the datasets were therefore concatenated for the analyses. The ILD test for *28S*, *Per* and *COI* showed the combination of these genes to be incongruent ($p =$

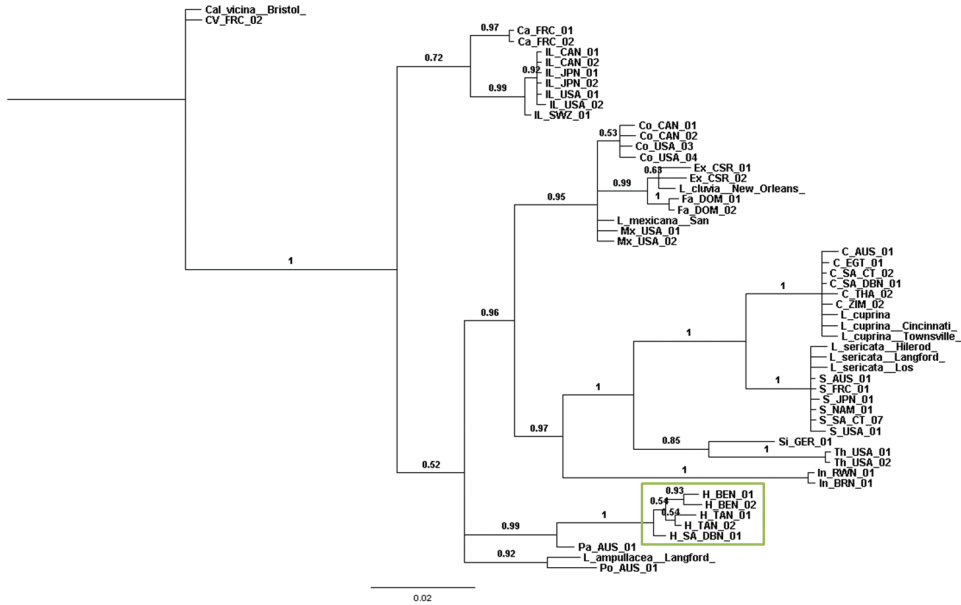


Figure 1. Bayesian inference tree constructed from concatenated nuclear genes *28S* + *Per*. Posterior probabilities are indicated on nodes. Green box = *Hemipyrellia fernandica*. C = *L. cuprina*, Ca = *L. caesar*, Co = *L. coeruleiviridis*, CV = *Calliphora vicina*, Ex = *L. eximia*, Fa = *L. fayeae*, H = *Hemipyrellia fernandica*, IL = *L. illustris*, In = *L. infernalis*, Mx = *L. mexicana*, Pa = *L. papuensis*, Po = *L. porphyrina*, S = *L. sericata*, Si = *L. silvarum*, Th = *L. thatuna*, AUS = Australia, BRN = Burundi, CAN = Canada, CSR = Costa Rica, DOM = Dominican Republic, FRC = France, GER = Germany, JPN = Japan, NAM = Namibia, EGT = Egypt, RWN = Rwanda, SWZ = Switzerland, SA = South Africa, TAN = Tanzania, THA = Thailand, USA = United States of America, ZIM = Zimbabwe. DBN = Durban, CT = Cape Town.

0.03). Despite the incongruence between the nuclear (*28S* and *Per*) and mitochondrial (*COI*) data, these data sets were also concatenated and an analysis run on the total molecular evidence.

The Bayesian inference tree (Fig. 1) for the nuclear genes (*28S* and *Per*) clearly showed that *L. sericata* and *L. cuprina* are sister clades with 100% support. *Lucilia thatuna* Shannon, 1926 and *L. silvarum* Meigen, 1826 form a sister clade to the *L. sericata* + *L. cuprina* clade. The specimens of *H. fernandica* all grouped together and were sister to *L. papuensis* Macquart, 1843. The *Hemipyrellia* clade sat within the *Lucilia* clade (Fig. 1).

In the Bayesian inference tree for the mitochondrial gene (*COI*) (Fig. 2), *L. cuprina* was paraphyletic with respect to *L. sericata*. The *L. cuprina* + *L. sericata* clade was poorly resolved with respect to the *L. silvarum* + *L. taiwanensis* Chu, 1975 clade. The *H. fernandica* sequences grouped with those of *H. ligurriens* and *H. pulchra* from GenBank and this clade was sister to *Lucilia infernalis* Villeneuve, 1914. This *Hemipyrellia* + *L. infernalis* clade sat within the *Lucilia* clade on the tree. Two specimens from Taiwan assigned to *H. ligurriens* grouped with the *L. cuprina* specimens. The three



Figure 2. Bayesian inference tree constructed from mitochondrial gene *COI*. Posterior probabilities indicated on nodes. Green box = *Hemipyrellia* sp. Blue box = *Dyscritomyia* sp. C = *L. cuprina*, Ca = *L. caesar*, Co = *L. coeruleiviridis*, CV = *Calliphora vicina*, Ex = *L. eximia*, Fa = *L. fayeae*, H = *Hemipyrellia fernandica*, IL = *L. illustris*, In = *L. infernalis*, Mx = *L. mexicana*, S = *L. sericata*, Si = *L. silvarum*, Th = *L. thatuna*, AUS = Australia, BRN = Burundi, CAN = Canada, CSR = Costa Rica, DOM = Dominican Republic, FRC = France, GER = Germany, JPN = Japan, NAM = Namibia, EGT = Egypt, RWN = Rwanda, SWZ = Switzerland, SA = South Africa, TAN = Tanzania, THA = Thailand, USA = United States of America, ZIM = Zimbabwe. DBN = Durban, CT = Cape Town.

Dyscritomyia sequences included in the analysis grouped together monophyletically outside *Lucilia*.

The Bayesian inference tree for the incongruent concatenated total evidence molecular dataset (*28S*, *Per* and *COI*) (Fig. 3) showed *L. sericata* and *L. cuprina* to be sister clades with strong support. The *H. fernandica* sequences sat within *Lucilia*, and the rest of the tree was topologically similar to the gene trees.

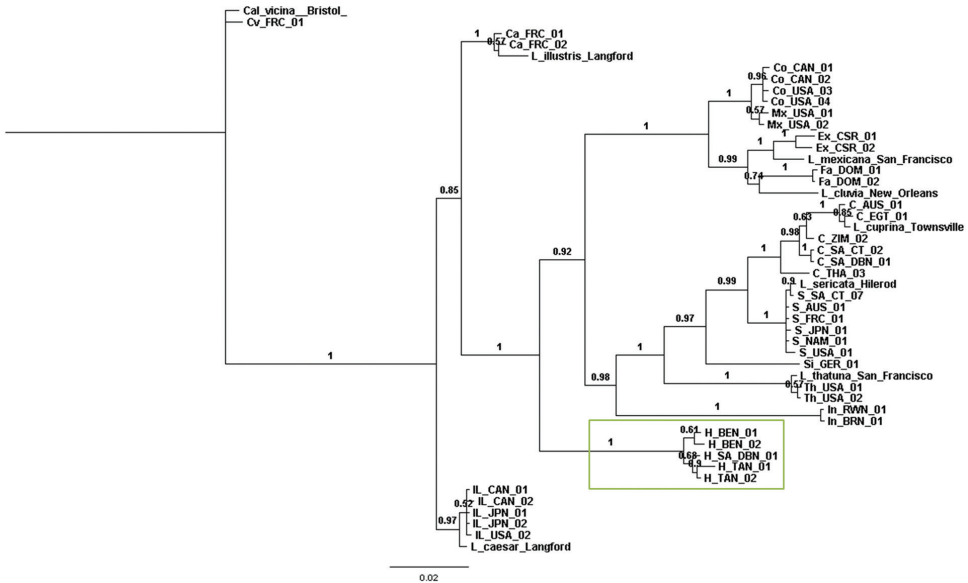


Figure 3. Bayesian inference tree constructed from the concatenated nuclear (28S & Per) and mitochondrial (COI) genes. Posterior probabilities indicated on nodes. Green box = *Hemipyrellia fernandica*. C = *L. cuprina*, Ca = *L. caesar*, Co = *L. coeruleiviridis*, CV = *Calliphora vicina*, Ex = *L. eximia*, Fa = *L. fayeae*, H = *Hemipyrellia fernandica* IL = *L. illustris*, In = *L. infernalis*, Mx = *L. mexicana*, S = *L. sericata*, Si = *L. silvarum*, Th = *L. thatuna*, AUS = Australia, BRN = Burundi, CAN = Canada, CSR = Costa Rica, DOM = Dominican Republic, FRC = France, GER = Germany, JPN = Japan, NAM = Namibia, EGT = Egypt, RWN = Rwanda, SWZ = Switzerland, SA = South Africa, TAN = Tanzania, THA = Thailand, USA = United States of America, ZIM = Zimbabwe. DBN = Durban, CT = Cape Town.

The NeighborNet analysis (Fig. 4) clearly showed seven distinct major splits. The New World species (*L. coeruleiviridis*, *L. cluvia* Walker, 1849, *L. eximia* Wiedemann, 1819, *L. mexicana* and *L. fayeae* Whitworth, 2010) grouped together; *L. caesar*, *L. illustris*, *L. porphyrina* Walker, 1856, *L. ampullacea* Villeneuve, 1922, *L. adiosoemartoi*, *L. papuensis* Macquart, 1843, *L. bazini* Séguy, 1934 and *L. hainanensis* Fan, 1965 formed a group; *L. infernalis* was isolated, as was *H. fernandica*; the bulk of the *Lucilia* species that are primary facultative parasites (*L. sericata*, *L. cuprina*, *L. silvarum* and *L. thatuna*) grouped together; and *Calliphora vicina* and the *Dyscritomyia* species as the outgroups formed separate but neighbouring splits.

Bayesian inference analysis of the COI barcode data set generated a tree (Fig. 5) with very strong posterior probabilities for most clades except for the *L. sericata* + *L. cuprina* + *L. taiyuanensis* (p = 0.61) and *L. caesar* + *L. illustris* (p = 0.58) clades. The *Hemipyrellia* species all formed a distinct clade within *Lucilia* with 100% support. One of the *Hypopygiopsis infumata* (Bigot, 1877) sequences forms a clade with *L. hainanensis* + *L. papuensis* + *L. bazini* and the other sequence groups with the *Hemipyrellia* sequences. *Paralucilia paraensis* sat outside *Lucilia* with *Chrysomya chloropyga*, confirming its classification as a chrysomyine.

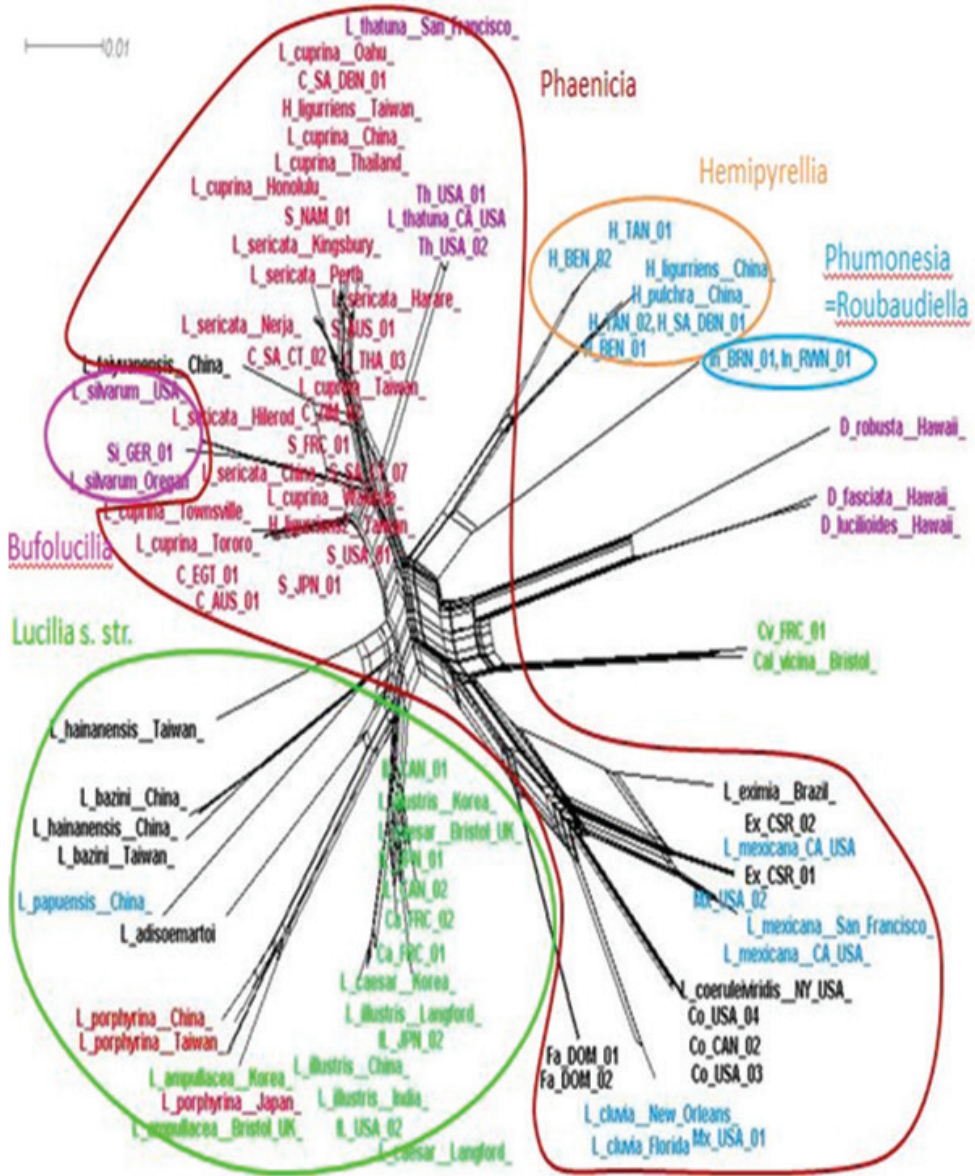


Figure 4. NeighborNet network diagram constructed from *COI* data showing parasitic behaviour (coloured text) and previous sub-generic status of *Lucilia* according to Hall (1948) (ellipses). Text colours: Red = primary facultative parasite, green = secondary facultative parasite, purple = parasite (unknown if primary or secondary), blue = saprophage, black = unknown parasitic behaviour. C = *cuprina*, Ca = *caesar*, Co = *coeruleviridis*, CV = *Calliphora vicina*, Ex = *eximia*, Fa = *fayae*, H = *Hemipyrellia fernandica*, IL = *illustris*, In = *infernalis*, Mx = *mexicana*, S = *sericata*, Si = *silvarum*, Th = *thatuna*, AUS = Australia, BRN = Burundi, CAN = Canada, CSR = Costa Rica, DOM = Dominica, FRC = France, GER = Germany, JPN = Japan, NAM = Namibia, EGT = Egypt, RWN = Rwanda, SWZ = Switzerland, SA = South Africa, TAN = Tanzania, THA = Thailand, USA = United States of America, ZIM = Zimbabwe. DBN = Durban, CT = Cape Town.

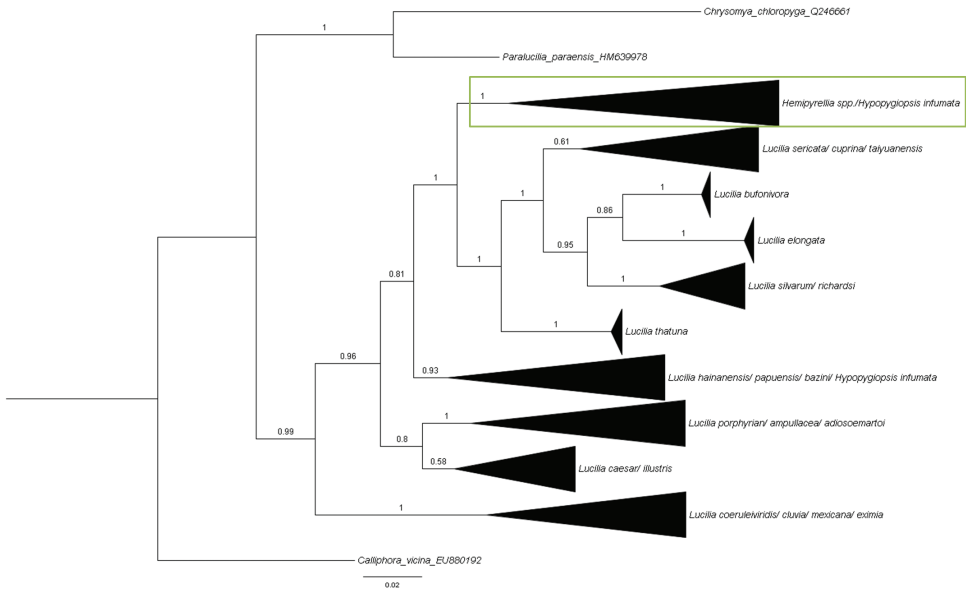


Figure 5. Bayesian inference tree constructed using *COI* barcode sequences. Posterior probabilities indicated on nodes. Support within the collapsed nodes is variable. Green box = *Hemipyrellia* sp.

Morphological data

The strict consensus parsimony tree for the morphological characters was largely uninformative, forming only two clades, with the majority of the species being unresolved (tree not shown). The 50% majority rule consensus tree (Fig. 6) grouped *L. sericata*, *L. cuprina*, *L. silvarum*, *L. bufonivora* and *L. thatuna* together. *Lucilia coeruleiviridis* and *L. cluvia* grouped together in all of the trees. The *Hemipyrellia* species formed a clade within *Lucilia*, and *L. caesar* and *L. illustris* grouped together.

Discussion

The majority rule consensus tree of the morphological characters (Fig. 6) was largely incongruent with the molecular phylogenetic trees (Figs 1–3, 5). The only clade that was congruent contains *L. sericata* + *L. cuprina* + *L. richardsi* + *L. silvarum* + *L. bufonivora* + *L. thatuna*. In the *COI* Bayesian inference tree this clade included *L. elongata* too (Fig. 5). This is partly due to disparities in taxon sampling and possibly partly a result of the limited character set available for the morphological parsimony analysis. It is ideal to have at least three times more characters than species in this type of analysis (Stevens and Wall 1996), whereas the matrix has 21 species and 17 character states, which limits the conclusions about general trends that can be drawn from these morphological data. This discussion will therefore focus on the results of the molecular analyses.

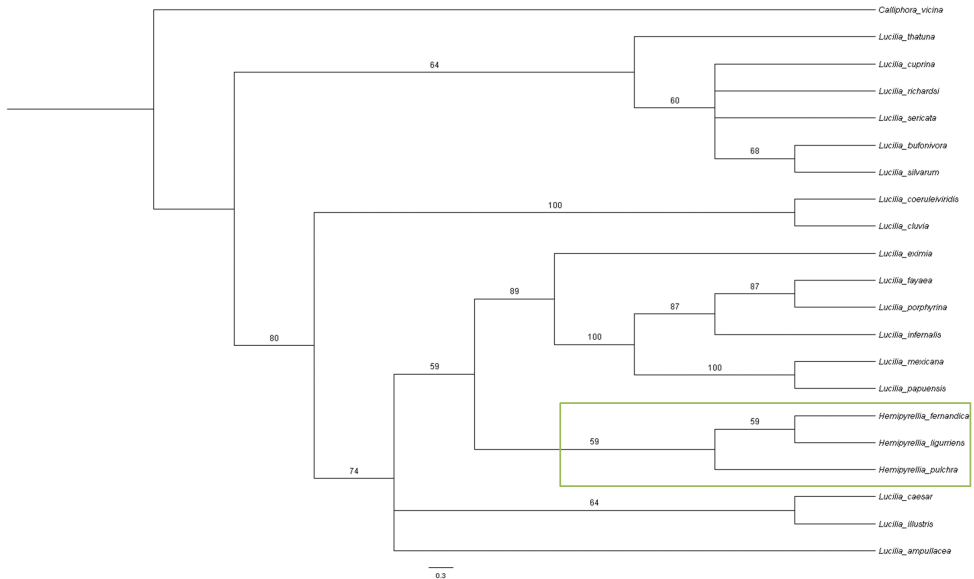


Figure 6. Majority rule consensus tree for 21 species of *Lucilia* and *Hemipyrellia* constructed from morphological characters listed in Table 3. Green box = *Hemipyrellia* sp.

Relationship of *L. sericata* and *L. cuprina*

Although only about half of the *Lucilia* species listed as valid by Aubertin (1933) were included in this study, these results strongly suggest that *L. sericata* and *L. cuprina* are indeed sister species. All of the Bayesian inference analyses (Figs 1–3) indicated this with strong support from the nuclear genes (*28S* and *Per*) and total evidence (*28S* + *Per* + *COI*) trees and weaker support from the *COI* gene alone. *Lucilia cuprina* was paraphyletic (Fig. 2) with respect to *L. sericata* in the mitochondrial gene (*COI*) tree, as shown previously (using the same sequences but weaker auxiliary taxon sampling) to be the result of introgressive hybridisation between these two species (Williams and Villet 2013). In another study (McDonagh and Stevens 2011), the nuclear gene elongation factor-1 alpha (*EF-1a*) did not recover *L. sericata* and *L. cuprina* as sister-species, but the clade containing *L. sericata* was poorly resolved and thus the conclusion was weakly supported, but the *28S* and *COI* gene trees both recovered *L. sericata* and *L. cuprina* as sister species with strong support (McDonagh and Stevens 2011).

Molecular identification of *Lucilia* species

It has already been established that *L. sericata* and *L. cuprina* show a case of ancient introgression, and that they still interbreed (Williams and Villet 2013). This is a widely

acknowledged problem for identification using partial *COI* sequences alone (Rubinoff et al. 2006, Nelson et al. 2007, Roe and Sperling 2007, Williams et al. 2008, Tantawi et al. 2010, Williams and Villet 2013). Other problematic species pairs occur in the genus (DeBry et al. 2012, Sonet et al. 2012), and it is important to recognise the cause(s) and to document genes that are more useful for identification in these contexts.

In the Bayesian inference trees based on mitochondrial (*COI*) (Fig. 2) and total evidence (*28S*, *Per* and *COI*) (Fig. 3), *L. mexicana* was paraphyletic with respect to *L. coeruleiviridis*. This has been observed in the continental United States of America (DeBry et al. 2012), where these two species were found to share a mitochondrial haplotype. The *L. mexicana* specimens with this *L. coeruleiviridis* haplotype appear to be limited to a geographic area including Texas and New Mexico (DeBry et al. 2012). This study independently confirms this pattern, since our new sequences of *L. mexicana* from New Mexico grouped with *L. coeruleiviridis*, and the GenBank specimens of *L. mexicana* from California formed a distinct clade (Figs 2-3). This suggests introgression between *L. mexicana* and *L. coeruleiviridis*. The nuclear genes separated *L. coeruleiviridis* and *L. mexicana*, although *L. mexicana* was not resolved in this analysis (Fig 1). In the Bayesian inference tree based on the *Per* gene alone (tree not shown), these two species are recovered as sister clades with 100% support, which suggests that nuclear genes will separate these two species as they do for *L. sericata* and *L. cuprina* (Williams and Villet 2013).

Lucilia caesar and *L. illustris* also share haplotypes (Sonet et al. 2012). In the *COI* tree (Fig. 2), *L. caesar* specimens from France and Korea and one specimen of *L. illustris* from the UK were not resolved, but the remainder of the *L. caesar* and *L. illustris* specimens formed a mixed clade with 100% support. These two species can therefore not be unambiguously identified using only *COI*. The nuclear genes in this study (Fig. 1) separated these two species but used only two specimens of *L. caesar* from France and seven specimens of *L. illustris* from Japan, Switzerland, Canada and the United States of America. Including specimens from other countries may give a different result as was seen in a previous study (Sonet et al. 2012) where *L. caesar* and *L. illustris* could not be reliably identified using either mitochondrial or nuclear genes as the intraspecific and interspecific genetic distances were very low. This might result from hybridisation or incomplete lineage sorting (Sonet et al. 2012).

These three species pairs highlight the need for using more than one gene to identify species, as has been suggested in previous studies (Rubinoff et al. 2006, Nelson et al. 2007, Roe and Sperling 2007, Williams et al. 2008, Tantawi et al. 2010, Williams and Villet 2013). It also highlights a problem in using *COI* as a universal ‘barcoding’ gene (Rubinoff et al. 2006, Roe and Sperling 2007, Whitworth et al. 2007, Sonet et al. 2012, van Nieukerken et al. 2012, Jordaens et al. 2013), especially in a forensic context. While cases of ancient introgression remain genetically identifiable (DeBry et al. 2012, Williams and Villet 2013), cases of incomplete lineage sorting may be intractable, and morphological identification may be the best solution, especially if the identifications need to go to court.

Diversification of Luciliinae

The Luciliinae showed two strong patterns underlying their diversification: biogeographical radiation and the diversification of parasitism.

The analyses (summarised in Fig. 4) showed geographically distinct clusters of species from the New World (*L. eximia* + *L. mexicana* + *L. coeruleiviridis* + *L. cluvia* + *L. fayeae*), the Oriental region (*L. hainanensis* + *L. bazini* + *L. papuensis* + *L. adiosoemartoi* Kurahashi, 1988), and Eurasia (*L. porphyrina* + *L. ampullacea*). *Hemipyrellia* formed a monophyletic Old World lineage (Aubertin 1931). *Lucilia infernalis* is found only in Africa (Aubertin 1933) and the sequences from Rwanda and Burundi formed a separate group. One component of phylogenetic diversification within *Lucilia* is therefore certainly biogeographical.

Lucilia sericata, *L. cuprina*, *L. thatuna* and *L. silvarum* form a clade of facultatively parasitic species, with *L. sericata* and *L. cuprina* being primary facultative parasites. This group is geographically diverse, with only *L. thatuna* being restricted to one region, the United States of America. Likewise, *L. caesar* and *L. illustris* form a clade that represents secondary facultative parasites. *Lucilia illustris* is Holarctic, while *L. caesar* is restricted to the Palaearctic (DeBry et al. 2012). *Dyscritomyia* is endemic to the Hawaiian Islands (Wells et al. 2002) and phylogenetically coherent. Its members are attracted to carrion and are suspected of breeding in carrion and parasitizing snails (Hardy 1981).

Many *Lucilia* species are myiasis-causing (Zumpt 1965), with *L. cuprina* being the most recognised and often referred to as the sheep-strike blowfly (Hepburn 1943, Ullyett 1945, Vogt and Woodburn 1979, Heath and Bishop 2006). Other species of *Lucilia* known to be facultative parasites include *L. sericata*, *L. silvarum*, *L. thatuna*, *L. richardsi*, *L. porphyrina*, *L. illustris*, *L. caesar*, and *L. ampullacea*; the only obligately parasitic species in the genus are *L. bufonivora* and possibly *L. elongata* (Aubertin 1933, Hall 1948, Zumpt 1965, Rognes 1991, McDonagh and Stevens 2011). There are also saprophagous species within *Lucilia*, including *L. mexicana*, *L. cluvia*, *L. papuensis* and *L. infernalis* (Hall 1948, Zumpt 1965). None of these different parasitic behaviours are limited to any particular geographical area (Fig. 4). This implies that diversification of breeding behaviours has also been a component of phylogenetic diversification within *Lucilia*, independent of biogeography.

Taxonomy of Luciliinae

Lucilia Robineau-Desvoidy, 1830 (type species: *Lucilia caesar* (Linnaeus, 1758) has a complex nomenclatural history that is integrally related to its biogeographical and dietary radiation. Several authors including Bigot, van der Wulp, Brauer and Bergentamm, Girschner, Hough, Kramer, Shannon and Malloch (Aubertin 1933) contributed to the ultimate development of this genus. Early studies of the European *Lucilia*

were conducted by Stein (1924), Richards (1926), Collin (1926) and Séguy (1928) and Shannon published on the North and South American *Lucilia* (1926) (Aubertin 1933). Aubertin (1933) published the most comprehensive review of the genus and recognised 27 species. This genus is widely spread across with world. The adults of this genus feed on nectar, carrion and decomposing material and the females are oviparous (Aubertin 1933). The larvae of this genus develop on decomposing animal material. Several species have developed specialised parasitic behaviour such as *L. cuprina*, which lays its eggs on living sheep and the larvae feed on the live animals, causing myiasis. *Lucilia bufonivora* is a parasite of toads.

Phaenicia Robineau-Desvoidy, 1863 (type species: *Phaenicia concinna* Robineau-Desvoidy, 1863 = *Musca sericata* Meigen, 1826) has a history of varied usage. Hall (1948) divided *Lucilia* into several separate genera including *Bufolucilia*, *Phaenicia* and *Lucilia sensu stricto*. Hall's (1948) separation of species into the genera *Phaenicia* and *Lucilia* was primarily based on the presence or absence of bristles on the subcostal sclerite and the character of the ocellar triangle. In contrast, Malloch (1926) used the yellow colour of the basicostal scale and the presence of three postsutural acrostichal bristles to define his concept of *Phaenicia*. The use of *Phaenicia* has persisted in North American literature (Stevens and Wall 1996, Byrd and Castner 2010), but is not generally used in other parts of the world as it is seen as a junior synonym of *Lucilia* (Zumpt 1965).

In the network analysis (Fig. 4), the species that would be assigned to *Phaenicia* based on Hall's (1948) criteria can clearly be seen to be part of two distant clades. These species occur in both the Old and New Worlds, showing vast geographic ranges. The group includes species that are primary facultative parasites and species that are saprophages. Hall's (1948) usage of *Lucilia s.str.* refers only to *Lucilia illustris* (and *L. caesar* for clarity between the two) as he focused only on Nearctic blowflies. The remaining species that would fall into this clade based on his diagnostic criteria grouped with *L. caesar* and *L. illustris* in our analyses (Fig. 4), and includes species that are primary and secondary facultative parasites as well as species that are saprophagous.

Bufolucilia Townsend, 1919 (type species: *Lucilia bufonivora*) includes the species *bufonivora*, *silvarum* and (by monophyly) *elongata*, which are found in Europe and North America. *Bufolucilia* forms a part of the clade that includes most of the facultatively parasitic *Lucilia* species (Fig. 4). There is no obvious reason to separate *Lucilia* into (sub)genera based on the parasitic behaviour of the species because primary and secondary facultatively parasitic and saprophagous species are spread throughout the genus (Fig. 4). Recognising *Bufolucilia* also makes *Phaenicia* paraphyletic (Fig. 4).

Phumonesia Villeneuve, 1914 and ***Roubaudiella*** Séguy, 1925 (type species: *Phumonesia infernalis* Villeneuve, 1914 = *Roubaudiella caerulea* Robineau-Desvoidy, 1863) are monotypic genera founded on the same species, and therefore objective synonyms. The only species shows affinities with *Hemipyrellia* in some analyses (Fig. 2, 4), and is always embedded inside *Lucilia*, leaving no reason to recognise a separate genus.

Similarly, *Francilia* Shannon, 1924, and *Acrophagella* Ringdahl, 1942, are objective synonyms because they are based on the same species. Several other genus-group

taxa have been erected within the Luciliinae, including *Caesariceps* Rodendorf, 1926, *DasyLucilia* Rodendorf, 1926, *Luciliella* Malloch, 1926 and *Viridinsula* Shannon, 1926. Their status needs assessment, and the results presented here suggest that morphological analyses alone will not be sufficient. Phylogenetic studies including a selection of both nuclear and mitochondrial genes are recommended.

Hemipyrellia Townsend, 1918 (type species: *Lucilia fernandica* Macquart, 1855) was erected as a genus by Townsend (1918) and revised by Aubertin (1931). It had previously been suggested that *Hemipyrellia* was a synonym of *Lucilia* (Shannon 1926). *Hemipyrellia* is restricted to the Old World and the species are saprophagous. The results of this study place *Hemipyrellia* within *Lucilia* for both nuclear and mitochondrial analyses with 100% support (Figs 1 and 2), the *COI* barcode Bayesian tree (Fig. 5) with very strong support, and the morphological majority rule consensus tree (Fig. 6) with weak (56%) support.

In two studies of Australian blowflies, *Hemipyrellia* was found to be a sister-group to *Lucilia* (Wallman et al. 2005, Nelson et al. 2012), but these studies included only species of *Lucilia* that occur in Australia, thus *Hemipyrellia* may be a sister-clade to Australian *Lucilia* as an artefact of taxon sampling. Similarly, another study (Singh and Wells 2013) found *Hemipyrellia* to be sister-group to *Lucilia*, but this was based on one specimen of *Lucilia sericata* and one specimen of *Hemipyrellia fernandica*. Several other studies have sequenced *Hemipyrellia* specimens and found them to lie within *Lucilia* (Wells et al. 2007, Park et al. 2009, Liu et al. 2011, McDonagh and Stevens 2011). Two specimens of *H. ligurriens* from Taiwan (Fig. 2) group within the *L. cuprina* clade. This is probably a misidentification because the specimens of *H. ligurriens* and *H. pulchra*, both from China, group with *H. fernandica* sequenced in this study. Assuming that the other *Hemipyrellia* specimens are not all misidentified, these previous studies together with the results of this study provide strong support for the synonymy of *Hemipyrellia* and *Lucilia*.

Dyscritomyia Grimshaw, 1901 (type species: *Prostethochaeta robusta* Grimshaw, 1901) contains 35 nominal species that are all found exclusively on the Hawaiian Islands (James 1981). The biology of *Dyscritomyia* differs from the other Luciliinae in that at least some species are viviparous and produce only one larva at a time that is retained in the uterus for the first two instar stages. Little is known about their parasitic behaviour but it is assumed that *Dyscritomyia* species are facultatively parasitic saprophages (Hardy 1981). *Dyscritomyia* was included in the *COI* Bayesian inference analysis and was recovered as a separate clade to *Lucilia* (Fig. 2). In previous studies, *Dyscritomyia* was recovered within *Lucilia* when analysing the *COI* and *EF-1a* genes (Wells et al. 2007, McDonagh and Stevens 2001) but it was recovered as a sister clade to *Lucilia* when analysing the 28S gene (McDonagh and Stevens 2011). *Dyscritomyia* was also recovered as a sister group to *Lucilia* in a study of the *COI* and *COII* genes (Wells et al. 2002). The current study used only a 576 bp region of the total *COI* gene from the sequences available on GenBank that were used in the study of Wells et al. (2002), but still recovered *Dyscritomyia* as a sister clade to *Lucilia*. It therefore does not appear that the length of the *COI* sequence affects the analysis significantly.

This study used 20 species of *Lucilia* in the *COI* analysis while the previous studies used six and 13 species, respectively (Wells et al. 2002, McDonagh and Stevens 2011). The position of *Dyscritomyia* relative to *Lucilia* may be determined by the taxon sampling of *Lucilia*, as mentioned regarding *Hemipyrellia*. This highlights the need for a more comprehensive study of this genus and inclusion of as many *Dyscritomyia* and *Lucilia* species as possible to confirm the taxonomic relationship between *Dyscritomyia* and *Lucilia*.

Hypopygiopsis Townsend, 1916 (type species: *Hypopygiopsis splendens* Townsend, 1916 = *Hypopygiopsis fumipennis* Walker, 1856) is restricted to the Asian and Australasian regions of the world (Kurahashi 1977). This genus apparently exhibits both oviparous and larviparous behaviour. The larval behaviour includes both facultative parasitism and saprophagy. *Hypopygiopsis* was included in the Bayesian inference analysis of the *COI* barcode dataset. One *Hypopygiopsis infumata* sequence grouped within *Lucilia* (Fig. 5) as part of a clade including *L. hainanensis* + *L. papuensis* + *L. bazini*. On closer examination of the sequences, *Hypopygiopsis infumata* was identical to the *Lucilia bazini* sequence from China. The *L. hainanensis* sequence from China that groups with these two sequences differs by only one base pair. This places doubt on the identification of these sequences and prevents any meaningful inferences being drawn. The second *Hypopygiopsis infumata* sequence groups with *Hemipyrellia*. There are only five sequences of *Hypopygiopsis* publically available and therefore the limited number of sequences constrains the credibility of this result and it is recommended that more sequences of this genus are examined to clarify if this genus should also be synonymised with *Lucilia*.

Conclusion

Lucilia sericata and *L. cuprina* are indeed sister-species. *Lucilia mexicana* is confirmed to be paraphyletic with respect to *L. coeruleiviridis*, possibly as a result of hybridisation and introgression. *Lucilia caesar* and *L. illustris* are both paraphyletic and further studies with different genes are needed to determine if these two species can be identified using molecular methods. *Hemipyrellia* should be synonymised with *Lucilia* because this genus sits within *Lucilia* in all of the analyses conducted in this study. *Dyscritomyia* requires further studies to confirm its phylogenetic positioning with regard to *Lucilia* because taxon sampling appears to have an impact on the analysis. The limited number of sequences available for *Hypopygiopsis* and the apparent misidentification of sequences prevent any conclusions being drawn about its relationship to *Lucilia*. In this study we have identified at least three cases of misidentified sequences from GenBank, which is a well-known problem (Bridge et al. 2003, Harris 2003, Nilsson et al. 2006, Valkiūnas et al. 2008). There is no geographic pattern to the distribution of the different parasitic behaviours within the Luciliinae and no reason to sub-divide *Lucilia* into genera or sub-genera based on either geographic location or parasitic behaviour.

Acknowledgments

We thank Dave Emery, Georg Goergen, Chris Kelly, Ashley Kirk-Spriggs, Nicky Lunt, Rich Merritt, Hideharu Numata, Cameron Richards, Kiyoshi Saigusa, Kabkaew Sukontason, Robyn Tourle, James Wallman, Terry Whitworth and Claude Wyss for providing us with specimens. Funding was provided by the National Research Foundation (NRF) of South Africa. Any opinion, findings and conclusions or recommendations expressed in this material are those of the author and do not necessarily reflect the views of the National Research Foundation.

References

- Ash N, Greenberg B (1975) Developmental temperature responses of the sibling species *Phaenicia sericata* and *Phaenicia pallescens*. *Annals of the Entomological Society of America* 68: 197–200. doi: 10.1093/aesa/68.2.197
- Aubertin D (1931) Revision of the genus *Hemipyrellia* Tns. (Diptera, Calliphoridae). *Proceedings of the Zoological Society of London*, 497–509. doi: 10.1111/j.1096-3642.1931.tb01026.x
- Aubertin D (1933) Revision of the genus *Lucilia* R.-D. (Diptera, Calliphoridae). *Linnean Society Journal of Zoology* 38: 389–463. doi: 10.1111/j.1096-3642.1933.tb00991.x
- Bishop DM (1991) Variations in numbers of occipital setae for two species of *Lucilia* (Diptera: Calliphoridae) in New Zealand. *New Zealand Entomologist* 14: 28–31. doi: 10.1080/00779962.1991.9722609
- Bishop DM (1995) Subspecies of the Australian green blowfly (*Lucilia cuprina*) recorded in New Zealand. *New Zealand Veterinary Journal* 43: 164–165. doi: 10.1080/00480169.1995.35880
- Boehme P, Amendt J, Zehner R (2012) The use of COI barcodes for molecular identification of forensically important fly species in Germany. *Parasitology Research* 110: 2325–2332. doi: 10.1007/s00436-011-2767-8
- Bridge PD, Spooner BM, Roberts PJ, Panchal G (2003) On the unreliability of published DNA sequences. *New Phytologist* 160: 43–48. doi: 10.1046/j.1469-8137.2003.00861.x
- Byrd JH, Castner JL (2010) *Forensic Entomology: The utility of arthropods in legal investigations*. CRC Press, Taylor & Francis Group, Boca Raton, 681 pp.
- Chen W-Y, Hung T-S, Shiao S-F (2004) Molecular identification of forensically important blow fly species (Diptera: Calliphoridae) in Taiwan. *Journal of Medical Entomology* 41: 47–57. doi: 10.1603/0022-2585-41.1.47
- DeBry R, Timm AE, Dahlem GA, Stamper T (2010) mtDNA-based identification of *Lucilia cuprina* (Wiedemann) and *Lucilia sericata* (Meigen) (Diptera: Calliphoridae) in the continental United States. *Forensic Science International* 202: 102–109. doi: 10.1016/j.forsciint.2010.04.038
- DeBry R, Timm AE, Wong ES, Stamper T, Cookman C, Dahlem GA (2012) DNA-Based identification of forensically important *Lucilia* (Diptera: Calliphoridae) in the conti-

- mental United States. *Journal of Forensic Sciences* 58: 73–78. doi: 10.1111/j.1556-4029.2012.02176.x
- Farris JS, Kallerjo M, Kluge AG, Bult C (1994) Testing significance of congruence. *Cladistics* 10: 315–319. doi: 10.1111/j.1096-0031.1994.tb00181.x
- Fischer OA (2000) Blowflies of the genera *Calliphora*, *Lucilia* and *Protophormia* (Diptera, Calliphoridae) in South-Moravian urban and rural areas with respect to *Lucilia bufonivora* Moniez, 1876. *Acta Veterinaria Brno* 69: 225–231. doi: 10.2754/avb200069030225
- GilArriortua M, Salona Bordas MI, Caine LM, Pinheiro F, de Pancorbo MM (2013) Cytochrome b as a useful tool for the identification of blowflies of forensic interest (Diptera, Calliphoridae). *Forensic Science International* 228: 132–136. doi: 10.1016/j.forsciint.2013.02.037
- Hall DG (1948) *The blowflies of North America*. Thomas Say Foundation, Washington DC.
- Hall TA (1999) BioEdit: a user-friendly biological sequence alignment editor and analysis program for Windows 95/98/NT. *Nucleic Acids Symposium Series* 41: 95–98.
- Hardy DE (1981) *Insects of Hawaii*. Vol 14. Diptera: Cyclorrhapha IV. Series Schizophora Section Calypteratae. University Press of Hawaii, Honolulu.
- Harris DJ (2003) Can you bank on GenBank? *Trends in Ecology and Evolution* 18: 317–319. doi: 10.1016/S0169-5347(03)00150-2
- Harvey ML, Dadour IR, Gaudieri S (2003) Mitochondrial DNA cytochrome oxidase I gene: potential for distinction between immature stages of some forensically important fly species (Diptera) in Western Australia. *Forensic Science International* 131: 134–139. doi: 10.1016/S0379-0738(02)00431-0
- Harvey ML, Mansell MW, Villet MH, Dadour IR (2003) Molecular identification of some forensically important blowflies of southern Africa and Australia. *Medical and Veterinary Entomology* 17: 363–369. doi: 10.1111/j.1365-2915.2003.00452.x
- Harvey ML, Gaudieri S, Villet MH, Dadour IR (2008) A global study of forensically significant calliphorids: Implications for identification. *Forensic Science International* 177: 66–76. doi: 10.1016/j.forsciint.2007.10.009
- Heath ACG, Bishop DM (2006) Flystrike in New Zealand: An overview based on a 16-year study, following the introduction and dispersal of the Australian sheep blowfly, *Lucilia cuprina* Wiedemann (Diptera: Calliphoridae). *Veterinary Parasitology* 137: 333–344. doi: 10.1016/j.vetpar.2006.01.006
- Hepburn GA (1943) Sheep blowfly research I - A survey of maggot collections from live sheep and a note on the trapping of blowflies. *Onderstepoort Journal of Veterinary Science and Animal Industry* 18: 13–18.
- Holloway BA (1991) Morphological characters to identify adult *Lucilia sericata* (Meigen, 1826) and *L. cuprina* (Wiedemann, 1830) (Diptera: Calliphoridae). *New Zealand Journal of Zoology* 18: 415–420. doi: 10.1080/03014223.1991.10422847
- Huelsenbeck JP, Ronquist F (2001) MRBAYES: Bayesian inference of phylogenetic trees. *Bioinformatics* 17: 754–755. doi: 10.1093/bioinformatics/17.8.754
- Huson DH, Bryant D (2006) Application of phylogenetic networks in evolutionary studies. *Molecular Biology and Evolution* 23: 254–267. doi: 10.1093/molbev/msj030
- James MT (1971) New species and records of Australasian Calliphorinae, with special reference to the fauna of new guinea (Diptera: Calliphoridae). *Pacific Insects* 13: 1–12.

- James MT (1981) Genus *Dyscritomyia* Grimshaw. In: Hardy DE. A Manual of the Insects of the Hawaiian Islands, including an Enumeration of the Species and Notes on the Origin, Distribution, Hosts, Parasites, etc. The University Press of Hawaii, Honolulu, Vol. 14: 294–349.
- Jordaens K, Sonet G, Richet R, Dupont E, Braet Y, Desmyeter S (2013) Identification of forensically important *Sarcophaga* species (Diptera: Sarcophagidae) using the mitochondrial COI gene. *International Journal of Legal Medicine* 127: 491–504. doi: 10.1007/s00414-012-0767-6
- Kurahashi H (1977) The tribe Luciliini from Australian and Oriental regions I. Genus *Hypopygiopsis* Townsend (Diptera, Calliphoridae). *The Entomological Society of Japan* 45: 553–562.
- Liu Q-L, Cai J-F, Chang Y-F, Gu Y, Guo Y-D, Wang X-H, Weng J.-F, Zhong M, Wang X, Yang L, Wu K-L, Lan L-M, Wang J-F, Chen Y-Q (2011) Identification of forensically important blow fly species (Diptera: Calliphoridae) in China by mitochondrial cytochrome oxidase I gene differentiation. *Insect Science* 18: 554–564. doi: 10.1111/j.1744-7917.2010.01377.x
- Malloch JR (1926) Exotic Muscaridae (Diptera). *Annals and Magazine of Natural History* 17: 489–510. doi: 10.1080/00222932608633438
- Marinho MAT, Junqueira ACM, Paulo DF, Esposito MC, Villet MH, Azeredo-Espin AML (2012) Molecular phylogenetics of Oestroidea (Diptera: Calyptratae) with emphasis on Calliphoridae: insights into the inter-familial relationships and additional evidence for parafly among blowflies. *Molecular Phylogenetics and Evolution* 65: 840–854. doi: 10.1016/j.ympev.2012.08.007
- McDonagh LM, Stevens JR (2011) The molecular systematics of blowflies and screwworm flies (Diptera: Calliphoridae) using 28S rRNA, COX1 and EF-1 α : insights into the evolution of dipteran parasitism. *Parasitology* 138: 1760–177. doi: 10.1017/S0031182011001089
- Nelson LA, Wallman JF, Dowton M (2007) Using COI barcodes to identify forensically and medically important blowflies. *Medical and Veterinary Entomology* 21: 44–52. doi: 10.1111/j.1365-2915.2007.00664.x
- Nelson LA, Lambkin CL, Batterham P, Wallman JF, Dowton M, Whiting MF, Yeates DK, Cameron SL (2012) Beyond barcoding: A mitochondrial genomics approach to molecular phylogenetics and diagnostics of blowflies (Diptera: Calliphoridae). *Gene* 511: 131–142. doi: 10.1016/j.gene.2012.09.103
- Nilsson RH, Ryberg M, Kristiansson E, Abarenkov K, Larsson K-H, et al. (2006) Taxonomic Reliability of DNA Sequences in public sequence databases: a fungal perspective. *PLoS ONE* 1(1): e59. doi: 10.1371/journal.pone.0000059
- Marinho MAT, Junqueira ACM, Paulo DF, Esposito MC, Villet MH, Azeredo-Espin AML (2012) Molecular phylogenetics of Oestroidea (Diptera: Calyptratae) with emphasis on Calliphoridae: insights into the inter-familial relationships and additional evidence for parafly among blowflies. *Molecular Phylogenetics and Evolution* 65: 840–854. doi: 10.1016/j.ympev.2012.08.007
- McDonagh LM, Stevens JR (2011) The molecular systematics of blowflies and screwworm flies (Diptera: Calliphoridae) using 28S rRNA, COX1 and EF-1 α : insights into the evolution of dipteran parasitism. *Parasitology* 138: 1760–177. doi: 10.1017/S0031182011001089

- Nelson LA, Wallman JF, Dowton M (2007) Using COI barcodes to identify forensically and medically important blowflies. *Medical and Veterinary Entomology* 21: 44–52. doi: 10.1111/j.1365-2915.2007.00664.x
- Nelson LA, Lambkin CL, Batterham P, Wallman JF, Dowton M, Whiting MF, Yeates DK, Cameron SL (2012) Beyond barcoding: A mitochondrial genomics approach to molecular phylogenetics and diagnostics of blowflies (Diptera: Calliphoridae). *Gene* 511: 131–142. doi: 10.1016/j.gene.2012.09.103
- Nilsson RH, Ryberg M, Kristiansson E, Abarenkov K, Larsson K-H, et al. (2006) Taxonomic Reliability of DNA Sequences in public sequence databases: a fungal perspective. *PLoS ONE* 1(1): e59. doi: 10.1371/journal.pone.0000059
- Reibe S, Schmitz J, Madea B (2009) Molecular identification of forensically important blowfly species (Diptera: Calliphoridae) from Germany. *Parasitology Research* 106: 257–261. doi: 10.1007/s00436-009-1657-9
- Roe AD, Sperling FAH (2007) Patterns of evolution of mitochondrial cytochrome c oxidase I and II DNA and implications for DNA barcoding. *Molecular Phylogenetics and Evolution* 44: 325–345. doi: 10.1016/j.ympev.2006.12.005
- Rognes K (1980) The blow-fly genus *Lucilia* Robineau-Desvoidy (Diptera, Calliphoridae) in Norway. *Fauna norvegica Series B* 27: 39–52.
- Rognes K (1991) Blowflies (Diptera, Calliphoridae) of Fennoscandia and Denmark. *Fauna Enomogolica Scandinavia* 245: 1–277.
- Rognes K (1994) First record of the sheep greenbottle fly *Lucilia cuprina* (Wiedemann, 1830) from Europe (Diptera: Calliphoridae) with additional Spanish records of Calliphoridae, Muscidae and Sarcophagidae. *Eos* 69: 41–44
- Rubinoff D, Cameron S, Will K (2006) A genomic perspective on the shortcomings of mitochondrial DNA for “barcoding” identification. *Journal of Heredity* 97: 581–594. doi: 10.1093/jhered/esl036
- Shannon RC (1926) Synopsis of the American Calliphoridae (Diptera). *Proceedings of the Entomological Society of America* 28: 115–133.
- Simon C, Buckley RT, Frati F, Stewart JB, Beckenbach AT (2006) Incorporating molecular evolution into phylogenetic analysis, and a new compilation of conserved polymerase chain reaction primers for animal mitochondrial DNA. *Annual Review of Ecological Evolutionary Systematics* 37: 545–579. doi: 10.1146/annurev.ecolsys.37.091305.110018
- Singh B, Wells JD (2013) Molecular systematics of the Calliphoridae (Diptera: Oestroidea): Evidence from one mitochondrial and three nuclear genes. *Journal of Medical Entomology* 50(1): 15–23. doi: 10.1603/ME11288
- Smith KE (1986) *A manual of forensic entomology*. British National History Museum, London, 205 pp.
- Sonet G, Jordaens K, Braet Y, Desmyter S (2012) Why is the molecular identification of the forensically important blowfly species *Lucilia caesar* and *L. illustris* (family Calliphoridae) so problematic? *Forensic Science International* 223: 153–159. doi: 10.1016/j.forsci-int.2012.08.020
- Sonet G, Jordaens K, Braet Y, Bourguignon L, Dupont E, Backeljau T, De Meyer M, Desmyter S (2013) Utility of GenBank and the Barcode of Life Data Systems (BOLD) for the

- identification of forensically important Diptera from Belgium and France. *ZooKeys* 365: 307–328. doi: 10.3897/zookeys.365.6027
- Stevens J, Wall R (1996) Classification of the genus *Lucilia* (Diptera: Calliphoridae): a preliminary parsimony analysis. *Journal of Natural History* 30: 1087–1094. doi: 10.1080/00222-939600770581
- Stevens J, Wall R (1997) The evolution of ectoparasitism in the genus *Lucilia* (Diptera: Calliphoridae). *International Journal for Parasitology* 27: 51–59. doi: 10.1016/S0020-7519(96)00155-5
- Stevens J, Wall R (2001) Genetic relationships between blowflies (Calliphoridae) of forensic importance. *Forensic Science International* 120: 116–123. doi: 10.1016/S0379-073-8(01)00417-0
- Stevens JR, Wall R, Wells JD (2002) Paraphyly in Hawaiian hybrid blowfly populations and the evolutionary history of anthropophilic species. *Insect Molecular Biology* 11: 141–148. doi: 10.1046/j.1365-2583.2002.00318.x
- Stevens JR (2003) The evolution of myiasis in blowflies (Calliphoridae). *International Journal for Parasitology* 33: 1105–1113. doi: 10.1016/S0020-7519(03)00136-X
- Stevens JR, Wallman JF (2006) The evolution of myiasis in humans and other animals in the Old and New Worlds (part I): phylogenetic analyses. *Trends in Parasitology* 22: 129–136. doi: 10.1016/j.pt.2006.01.008
- Stevens JR, Wallman JF, Otranto D, Wall R, Pape T (2006) The evolution of myiasis in humans and other animals in the Old and New Worlds (part II): biological and life-history studies. *Trends in Parasitology* 22: 181–188. doi: 10.1016/j.pt.2006.02.010
- Swofford DL (2003) PAUP* Phylogenetic Analysis Using Parsimony (*and Other Methods), Version 4. Sinauer Associates, Sunderland, MA.
- Tantawi TI, Williams KA, Villet MH (2010) An Accidental but safe and effective use of *Lucilia cuprina* (Diptera: Calliphoridae) in maggot debridement therapy in Alexandria, Egypt. *Journal of Medical Entomology* 47: 491–494. doi: 10.1093/jmedent/47.3.491
- Tourle R, Downie DA, Villet MH (2009) A morphological and molecular comparison of *Lucilia cuprina* and *L. sericata* (Diptera: Calliphoridae) in South Africa. *Medical and Veterinary Entomology* 23: 6–14. doi: 10.1111/j.1365-2915.2008.00765.x
- Ullyett GC (1945) Species of *Lucilia* attacking sheep in South Africa. *Nature* 155: 636–637. doi: 10.1038/155636b0
- Van Nieuwerkerken EJ, Doorenweerd C, Stokvis FR, Groenenberg DSJ (2012) DNA barcoding of the leaf-mining moth subgenus *Ectoedemia* s. str. (Lepidoptera: Nepticulidae) with COI and EF-1 α : two are better than one in recognizing cryptic species. *Contributions to Zoology* 81: 1–24.
- Valkiūnas G, Atkinson CT, Bensch S, Sehgal RNM, Ricklefs R (2008) Parasite misidentifications in GenBank: how to minimize their number? *Trends in Parasitology* 24: 247–248. doi: 10.1016/j.pt.2008.03.004
- Vogt WG, Woodburn TL (1979) Ecology, distribution and importance of sheep myiasis flies in Australia. National Symposium of the sheep blowfly and flystrike in sheep. N.S.W. Ag. Sydney.
- Wallman JF, Leys R, Hogendoorn K (2005) Molecular systematics of Australian carrion-breeding blowflies (Diptera: Calliphoridae) based on mitochondrial DNA. *Invertebrate Systematics* 19: 1–15. doi: 10.1071/IS04023

- Waterhouse DF, Paramonov SJ (1950) The status of the two species of *Lucilia* (Diptera, Calliphoridae) attacking sheep in Australia. Australian Journal of Scientific Research 3: 310–336.
- Wells JD, Goff ML, Tomberlin K (2002) Molecular systematics of the endemic Hawaiian blowfly genus *Dyscritomyia* Grimshaw (Diptera: Calliphoridae). Medical Entomology and Zoology 53: 231–238.
- Wells JD, Wall R, Stevens JR (2007) Phylogenetic analysis of forensically important *Lucilia* flies based on cytochrome oxidase I sequence: a cautionary tale for forensic species determination. International Journal of Legal Medicine 121: 229–233. doi: 10.1007/s00414-006-0147-1
- Whitworth T (2006) Keys to the genera and species of blow flies (Diptera: Calliphoridae) of America north of Mexico. Proceedings of the Entomological Society of Washington 108: 689–725.
- Whitworth T (2010) Keys to the genera and species of blow flies (Diptera: Calliphoridae) of the West Indies and description of a new species of *Lucilia* Robineau-Desvoidy. Zootaxa 2663: 1–35.
- Whitworth TL, Dawson RD, Magalon H, Baudry E (2007) DNA barcoding cannot reliably identify species of the blowfly genus *Protophthora* (Diptera: Calliphoridae). Proceedings of the Royal Society B 274: 1731–1739. doi: 10.1098/rspb.2007.0062
- Williams KA, Cronje FJ, Avenant L, Villet MH (2008) Identifying flies used for maggot debridement therapy. South African Medical Journal 98: 196–197.
- Williams KA, Villet MH (2013) Ancient and modern hybridization between *Lucilia sericata* and *L. cuprina* (Diptera: Calliphoridae). European Journal of Entomology 110: 187–196. doi: 10.14411/eje.2013.029
- Zumpt FKE (1965) Myiasis in man and animals in the old world: a textbook for physicians, veterinarians and zoologists. Butterworths, London, 277 pp.